

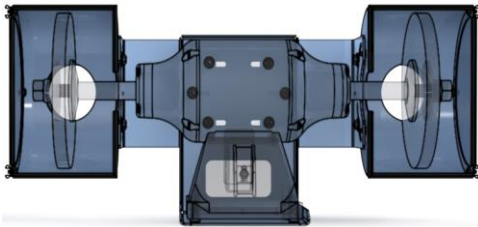


KLEAN BUFFER Safety Guards

Designed for removal of dust and other particulate during finishing processes

Ph: (800) 233-6530 or at keainfo@keaworks

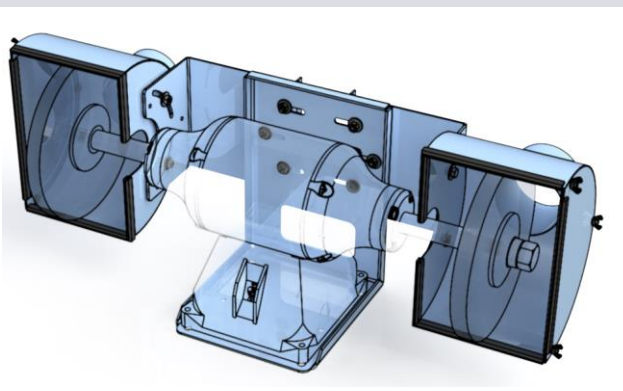
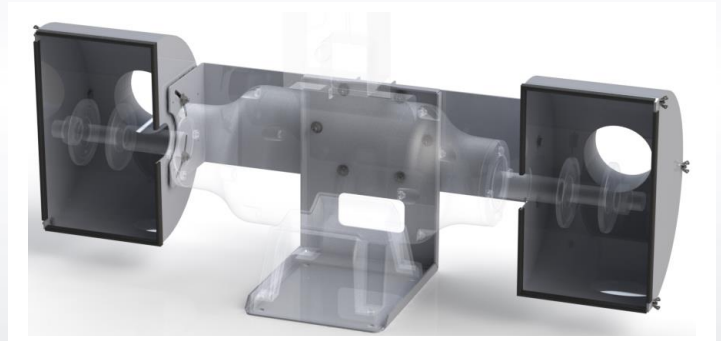
www.kea.works



KLEAN BUFFER Safety Guards are for dust collection & containment. Fits buffer wheels up to 16" diameter. Helps reduce air contaminants and cleanup time.

Make your buffing operations safer, cleaner, and ergonomic by enclosing open wheels and collecting the dust particulate into a dust collector. Your bench buffer will operate safely by entrapping the polishing wheel's particulate into the hood and exhausting it out the back round outlet. The hood covers more than half the wheel and can be tilted front-to-back by adjusting the mounting on each of the side's brackets.

Outside cover can be easily removed to facilitate changing buffer wheel.



"Ghost view" to left is your large buffer with *KLEAN BUFFER* Wheel Guards, Mounting Plate and Brackets installed. Some assembly required: buffer hood mounting plate is positioned between pedestal base and buffer.

- **Construction:** The KLEAN BUFFER wheel guard hood is fabricated in the USA of 14-gauge mild steel. The KLEAN BUFFER base and mount brackets are fabricated of 10-gauge steel. Powder coated finish.

KLEAN BUFFER System Configurations: For Baldor Buffers

The KLEAN BUFFER System includes a pair of hood guards, a mounting plate, and two mounting brackets

For Baldor Models 111 or 114 use the below:

- #2608S for up to an 8" diameter wheel

For Baldor Models 330-B, 332-B, 333-B, 334-B, 407-B, 409-B, 410-B, or 412-B use one of the below:

- #2608 for up to an 8" diameter wheel
- #2610 for up to a 10" diameter wheel
- #2612M for up to a 12" diameter wheel

For Baldor Models 1250, 1251, 1252, 1253, 1453, 1454, 1456, 1457, or 1458 use one of the below:

- #2612 for up to a 12" diameter wheel
- #2614 for up to a 14" diameter wheel
- #2616 for up to a 16" diameter wheel

Accessories and Options

Flex hose kits, fittings and ducting available to connect to a dust collector.

KEA Pedestals with two shelves and openings to pass through electrical cord:

- #7365 for Baldor models 330-B, 332-B, 333-B, 334-B, 407-B, 409-B, 410-B, or 412-B (comparable to GA16)
- #7366 for Baldor models 1250, 1251, 1252, 1253, 1453, 1454, 1456, 1457, or 1458 (comparable to GA20)


KEA Dust Collector Systems to integrate with above KLEAN BUFFER components:

- 2200 Series Pedestal Dust Collector
- 2000 Series Drum Dust Collector
- 2900 Series CyKLEAN Dust Collector

Collect the particulate at the source with a dedicated dust collector from KEA

For Other Buffer Manufacturers Use Below Table to Size Your Buffer Wheel Guard Hood

KEA Model #	Buffer Guard/Hood Dimensions				Mount Dimensions	
	Diameter	Width	Outlet Diameter	Outlet Length	Centerline Height	Width between Hood Centers
2608S	9"	5 13/16"	4"	2 1/2"	5 7/16"	15" +/- 11/16"
2608	9"	5 13/16"	4"	2 1/2"	8 3/16"	22 15/16" +/- 1 3/8"
2610	11"	7 15/32"	4"	3"	8 3/16"	22 15/16" +/- 1 3/8"
2612M	13"	8 1/2"	4"	3"	8 3/16"	22 15/16" +/- 1 3/8"
2612	13"	8 1/2"	4"	3"	9 9/16"	34.75"
2614	15"	9"	6"	3"	9 9/16"	35.75"
2616	17"	9"	6"	3"	9 9/16"	35.75"



Ph: (800) 233-6530
keainfo@kea.works
www.kea.works

SINGLE SOURCE FOR
 Fume / Welding / Dust Arms
 Ambient Air Cleaners, Mobile Welding Units
 Dust Collectors, Vehicle Exhaust, etc.

Dealer Contact: